


Configuration Document

e-STUDIO2040c

Art n°: 6AG00003217



Standard equipment:

- 2 cassettes, 550 sheets each
- Bypass, 100 sheets
- Stackless auto-duplex unit
- Colour LCD touch panel
- 4th generation e-BRIDGE
- 1.5 GB RAM
- 80 GB hard drive
- Print/Scan function
- Network interface
- e-Filing
- TopAccess
- 4 Process Units, incl. Drums and Developers


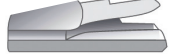
Requires either platen cover or RADF.

MANUAL e-STUDIO2040c/2540c/3040c/3540c/4540c

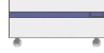

Art n°:

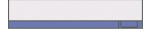

English	6BC02231837	Spanish	6BC02231841
French	6BC02231838	German	6BC02231840 (QSG only)
Italian	6BC02231839		

AUTOMATIC DOCUMENT FEEDER


<p>KA-3511PC <input type="checkbox"/></p> <p>Art n°: 6AG00000825</p> <ul style="list-style-type: none"> • Platen Cover 	<p>MR-3021 <input type="checkbox"/></p> <p>Art n°: 6AH00000293</p> <ul style="list-style-type: none"> • RADF 
<i>Either one option must be installed.</i>	

PAPER SOURCES


<p>KD-1027 <input type="checkbox"/></p> <p>Art n°: 6AG00003443</p> <ul style="list-style-type: none"> • Paper Feed Pedestal • 1 cassette, 550 sheets 	<p>KD-1028A4 <input type="checkbox"/></p> <p>Art n°: 6AR00000768</p> <ul style="list-style-type: none"> • Large Capacity Feeder • 1 x 2.500 sheets A4 
<i>Either one option can be installed.</i>	

<p>MY-1035 <input type="checkbox"/></p> <p>Art n°: 6AG00003452</p> <ul style="list-style-type: none"> • 2nd cassette for KD-1027 • 1 x 550 sheets  <p><i>This item requires the Paper Feed Pedestal KD-1027.</i></p>	<p>DESK</p> <p>MH-1710 <input type="checkbox"/></p> <p>Art n°: 6AR00000809</p> <ul style="list-style-type: none"> • Desk 
---	---

FINISHING


<p>MJ-1101 <input type="checkbox"/></p> <p>Art n°: 6AH00000384</p> <ul style="list-style-type: none"> • Console Finisher • 50-sheet multi-position stapling 	<p>MJ-1106 <input type="checkbox"/></p> <p>Art n°: 6AH00000379</p> <ul style="list-style-type: none"> • Booklet Finisher • 50-sheet multi-position stapling • Saddle-stitch binding 	<p>MJ-1031 <input type="checkbox"/></p> <p>Art n°: 6A00001169</p> <ul style="list-style-type: none"> • Hanging type • 50-sheet single position stapling 
--	---	--

Requires the Bridge Kit KN-4530. Either one option can be installed.

<p>KN-4530 <input type="checkbox"/></p> <p>Art n°: 6AH00000405 • Bridge kit</p> 	<p>MJ-6103E <input type="checkbox"/></p> <p>Art n°: 6AH00000414</p> <ul style="list-style-type: none"> • Hole punch unit • 2 holes (80 mm pitch) 	<p>MJ-6103F <input type="checkbox"/></p> <p>Art n°: 6AH00000433</p> <ul style="list-style-type: none"> • Hole punch unit • 4 holes (80 mm pitch) 	<p>MJ-6103S <input type="checkbox"/></p> <p>Art n°: 6AH00000422</p> <ul style="list-style-type: none"> • Hole punch unit • 4 holes (70,21 mm pitch)
--	---	---	--

These items are optional for Finisher MJ-1101 and MJ-1106. Either one option can be installed.

OTHER

<p>KK-4550 <input type="checkbox"/></p> <p>Art n°: 6AR00000755</p> <ul style="list-style-type: none"> • Work Tray 	<p>KK-1660 <input type="checkbox"/></p> <p>Art n°: 6AG00001893</p> <ul style="list-style-type: none"> • Manual Pocket 	<p>MF-3500CE <input type="checkbox"/></p> <p>Art n°: 6AG00001652</p> <ul style="list-style-type: none"> • Damp Heater 	<p>GQ-1110 <input type="checkbox"/></p> <p>Art n°: 6A000000880</p> <ul style="list-style-type: none"> • Harness Kit for Coin Controller
---	---	---	---

SUPPLIES

Toner

T-FC25EC - Cyan	<input type="checkbox"/>
Art n°: 6AJ00000072	
T-FC25EM - Magenta	<input type="checkbox"/>
Art n°: 6AJ00000078	
T-FC25EY - Yellow	<input type="checkbox"/>
Art n°: 6AJ00000081	
T-FC25EK - Black	<input type="checkbox"/>
Art n°: 6AJ00000075	

Developer

D-FC25C - Cyan	<input type="checkbox"/>
Art n°: 6LJ04811200	
D-FC25M - Magenta	<input type="checkbox"/>
Art n°: 6LJ04811100	
D-FC25Y - Yellow	<input type="checkbox"/>
Art n°: 6LJ04811000	
D-FC25K - Black	<input type="checkbox"/>
Art n°: 6LJ04811300	

Toner Bag

TB-FC28E

Art n°: 6AG00002039

Drum

OD-FC25

Art n°: 6LJ04446000

Staples

Staple-2000	<input type="checkbox"/>
Art n°: 6A000000041	
For MJ-1031	
Staple-2400	<input type="checkbox"/>
Art n°: 6A000000706	
For MJ-1101 and MJ-1106	
Staple-3100	<input type="checkbox"/>
Art n°: 6A000001023	
For saddle in MJ-1106	

Developers, Drums and Toner Bag are included.




Staples are included in Finisher unit.

System Expansion

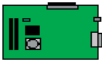
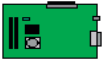
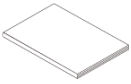
e-BRIDGE ID-GATE

KP-2004 Art n°: 6A000000878 • HID card reader	<input type="checkbox"/>	KP-2005 Art n°: 6A000000925 • Mifare card reader	<input type="checkbox"/>	TWN3 Mifare Art n°: 6BC02231630 • Proximity card reader	<input type="checkbox"/>	TWN3 MULTI125 Art n°: 6BC02231631 • Proximity card reader	<input type="checkbox"/>
TWN3 HID PROX Art n°: 6BC02231632 • Proximity card reader	<input type="checkbox"/>	TWN3 LEGIC Art n°: 6BC02231633 • Proximity card reader	<input type="checkbox"/>	TWN3 HID ICLASS Art n°: 6BC02231634 • Proximity card reader	<input type="checkbox"/>	TWN3 MULTI ISO Art n°: 6BC02231635 • Proximity card reader	<input type="checkbox"/>
TWN3 INDITAG Art n°: 6BC02231636 • Proximity card reader	<input type="checkbox"/>	Either one option can be installed.					

WIRELESS LAN/BLUETOOTH

GN-1060 Art n°: 6A000001221 • Wireless LAN module	 <input type="checkbox"/>	GN-3010 Art n°: 6A000000459 • Antenna	 1x <input type="checkbox"/>
Requires antenna GN-3010			2x <input type="checkbox"/>
GN-2010 Art n°: 6A000000766 • Bluetooth module	 <input type="checkbox"/>	One antenna required per connectivity option.	
Requires antenna GN-3010			

FAX

GD-1250EU Art n°: 6AH00000442 • Fax board	 <input type="checkbox"/>	GD-1260EU Art n°: 6AH00000214 • Fax 2nd line	 <input type="checkbox"/>	FAX MANUAL GD-1250-1260-1270 Art n°: English 6BC02231602 French 6BC02231603 Spanish 6BC02231606	
Requires Fax board GD-1250EU					

SECURITY KITS

GP-1070 Art n°: 6A000001051 • Data Overwrite Enabler	 <input type="checkbox"/>	GP-1080 Art n°: 6A000001053 • IPSec Enabler	 <input type="checkbox"/>
---	--	--	--

OPEN PLATFORM

GS-1010 Art n°: 6A000001055 • Meta Scan Enabler	 <input type="checkbox"/>	GS-1020 Art n°: 6A000001057 • Web-Services Enabler	 <input type="checkbox"/>
--	--	---	--